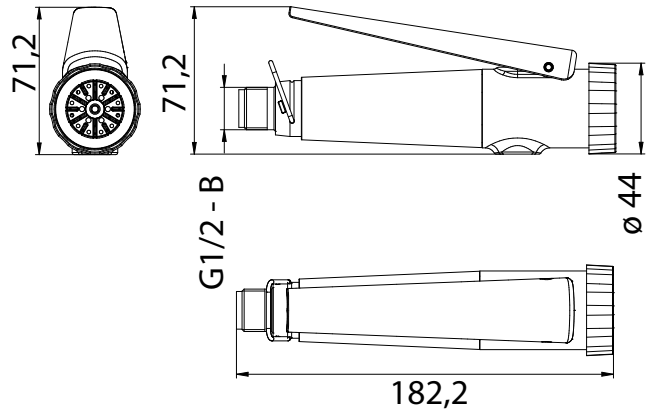


TECHNICAL DATA SHEET

PRESTO®

Range: PRESTO CHEF - Professionnal Kitchen range

Ref: 70838 - Ergonomic rinsing head – adjustable 2 jets – G 1/2 ' ,



> THE PRODUCT BENEFITS

> Handle:

- Shot blasted: non-slippery with wet gloves
- Ergonomic shape and length of the handle: for better grip
- Wetting jet: to rinse the dishes
- Concentrated spray: to stain dishes
- Black and chrome bi-color design: limits the risk of visible stains
- Ergonomic hand shower with continuous flow function, and gripping surface limiting the risk of burns.
- End piece to absorb shocks.
- Blocking hook to avoid MSDs (musculoskeletal disorders)

> TECHNICAL SPECIFICATIONS

> Recommended working pressure:

- 1 to 5 bars

> Flow rate:

- 12L / min at 3 bar

> Hydraulic supply:

- G 1/2 " (15x 21)

> Material and color of finish:

- Chromed brass body
- Chromed zamak handle
- Injected metal hook
- Handle and jet outlet in technical polymer resistant to impact, temperature and compatible with drinking water

> Thermal resistance:

- Withstands a temperature of 75 ° C for 30 minutes (in the context of thermal shock).

> Delivered with:

- NF check valve

> Standards and approvals:

- Chromed brass body compliant with standards NF EN1982 / NF EN 12164 / NF EN 12165
- Nickel-Chrome surface treatment according to NF EN12540
- Resistance to neutral salt spray (NSS): 200 h according to NF ISO 9227

Ce document n'est pas contractuel ; nous réservons le droit de modifier les caractéristiques de nos produits sans préavis. Toutes nos marques et tous modèles sont déposés.

